

2024 – 2025 IRM Proposed Final MARS Topology

Yvonne Huang

NYISO

ICS Meeting # 278

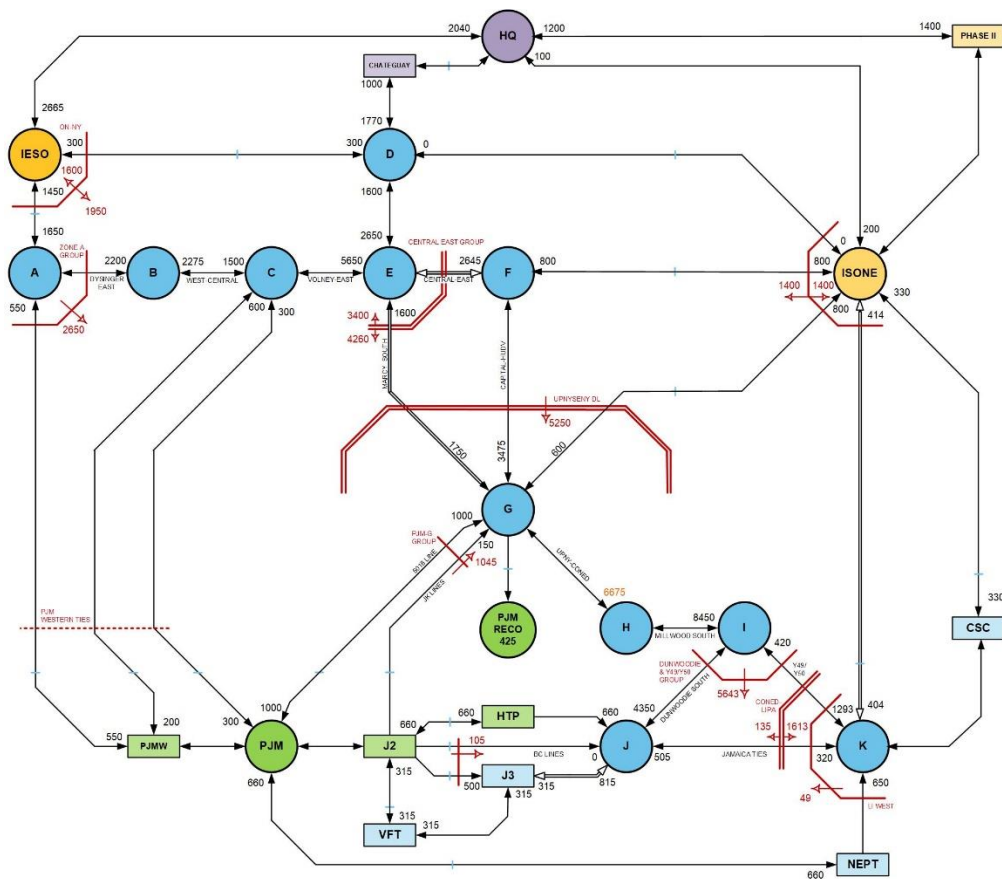
June 28, 2023

Updated Zone K Topology Limits

- A number of minor updates to the transfer limits between Zone K and the rest of the system are proposed based on the updated topology study conducted by PSEG LI

Internal Interface	2023-2024 IRM Assumptions (MW)	Proposed 2024-2025 IRM Assumptions (MW)	Delta (MW)
Jamaica Ties Import (Zone J to Zone K)	320	305	-15
ConEd-LIPA Import (Zone I and J to Zone K)	1613	1598	-15
ConEd-LIPA Export (Zone K to Zone I and J)	135	170	+35
Y49/Y50 Export (Zone K to Zone I)	420	460	+40
LI West Export (Zone K to Zone I, J and PJM)	49	84	+35

2023 – 2024 IRM Topology for New York Control Area



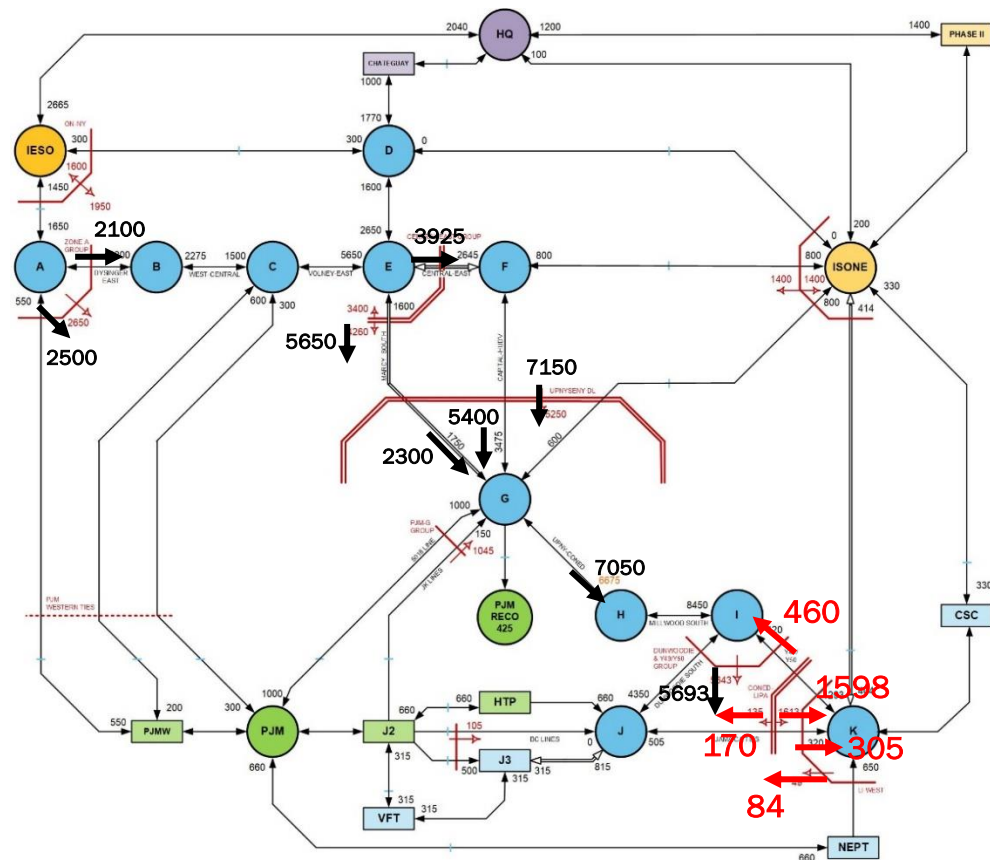
Notes

1. PJM to NY emergency assistance (EA) assumption for calculating the PJM-NY Western ties, PJM-G Group, and ABC Line Group flow distribution limit: 1500MW
2. NYCA EA simultaneous import limit: 3,500 MW
3. External areas representation based upon information received from the NPCC CP-3 WG

Legend

- Interface
 - Unidirectional Interface
 - Interface w/ Dynamic Ratings
 - Interface Group
 - Interface Group w/ Dynamic Ratings
 - Monitoring Interface Group
 - NYCA EA Interface Group Marker
 - xx "Dummy Bubble" i.e. no load
- NOTE: An interface is considered to not have a MW limitation if no number is specified

Updated Transfer Limits for 2024-2025 IRM Study



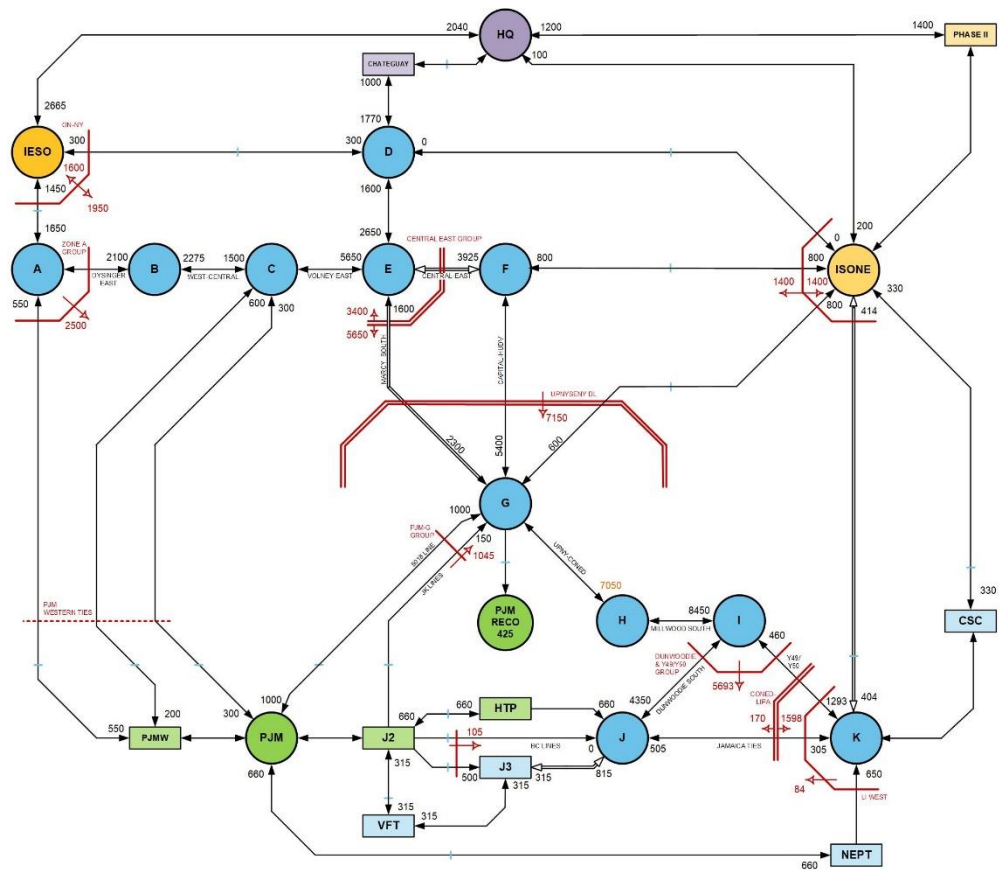
- Notes**
1. PJM to NY emergency assistance (EA) assumption for calculating the PJM-NY Western ties, PJM-G Group, and ABC Line Group flow distribution limit: 1500MW
 2. NYCA EA simultaneous import limit: 3,500 MW
 3. External areas representation based upon information received from the NPCC CP-8 WG

Legend

- Interface
- Unidirectional Interface
- Interface w/ Dynamic Ratings
- Interface Group
- Interface Group w/ Dynamic Ratings
- Monitoring Interface Group
- NYCA EA Interface Group Marker
- xx "Dummy Bubble" i.e. no load

NOTE: An interface is considered to not have a MW limitation if no number is specified

Proposed 2024 – 2025 IRM Topology for New York Control Area



Notes

1. PJM to NY emergency assistance (EA) assumption for calculating the PJM-NY Western Ties, PJM-G Group, and ABC Line Group flow distribution limit: 1500MW
2. NYCA EA simultaneous import limit: 3,500 MW
3. External areas representation based upon information received from the NPCC CP-8 WG

Legend

- Interface
 - Unidirectional Interface
 - Interface w/ Dynamic Ratings
 - Interface Group
 - Interface Group w/ Dynamic Ratings
 - Monitoring Interface Group
 - NYCA EA Interface Group Marker
 - xx 'Dummy Bubble' i.e. no load
- NOTE: An interface is considered to not have a MW limitation if no number is specified

Next Steps

- The NYISO has completed all the topology updates for the 2024-2025 IRM and will include the updates in the parametric study for the Preliminary Base Case.

Our Mission & Vision



Mission

Ensure power system reliability and competitive markets for New York in a clean energy future



Vision

Working together with stakeholders to build the cleanest, most reliable electric system in the nation

Questions?