



NEW
YORK
STATE

NY Power
Authority

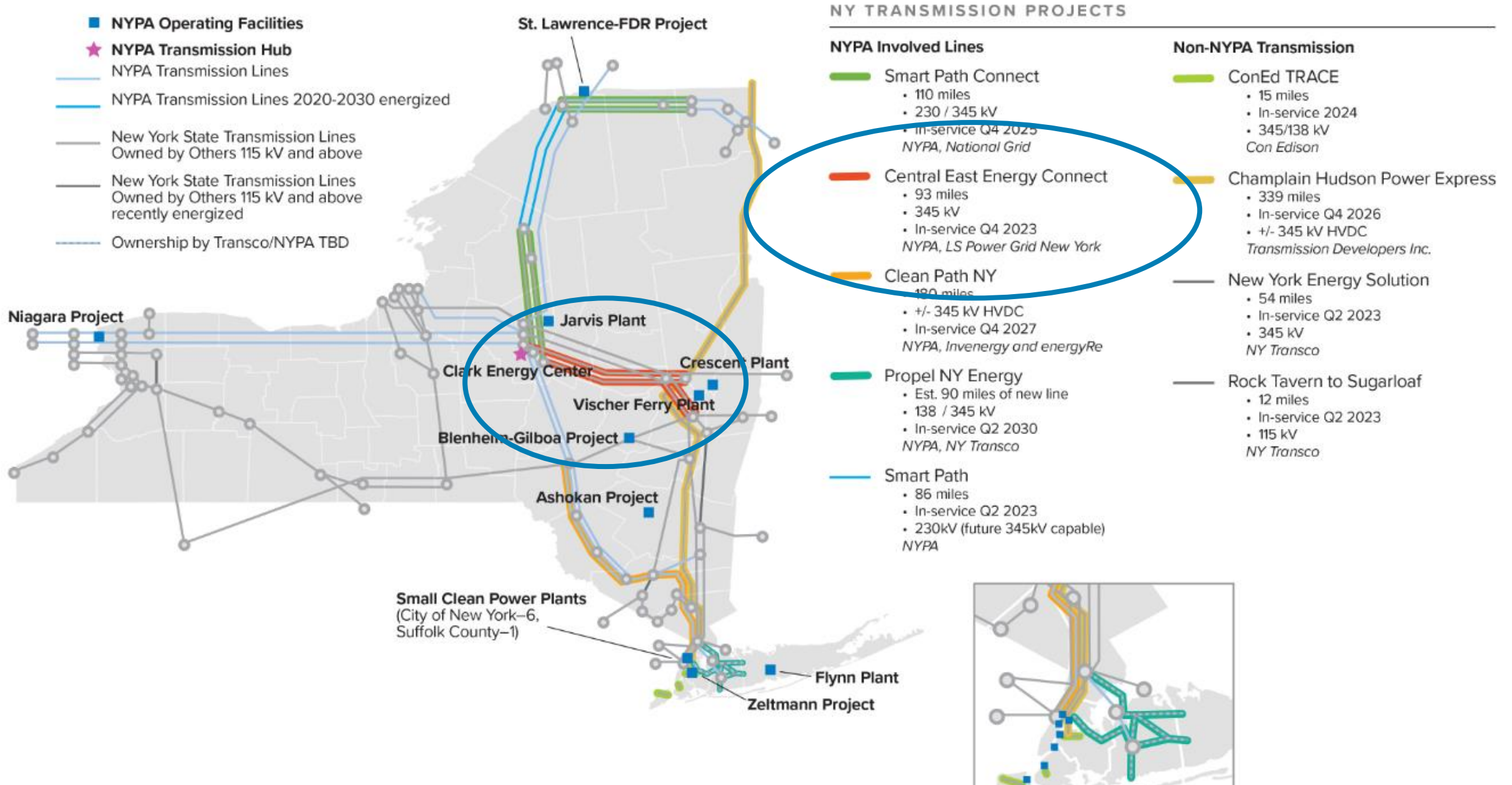
Proposed Modification to Exception #1 to ARR



Application of Reliability Rules (ARR)

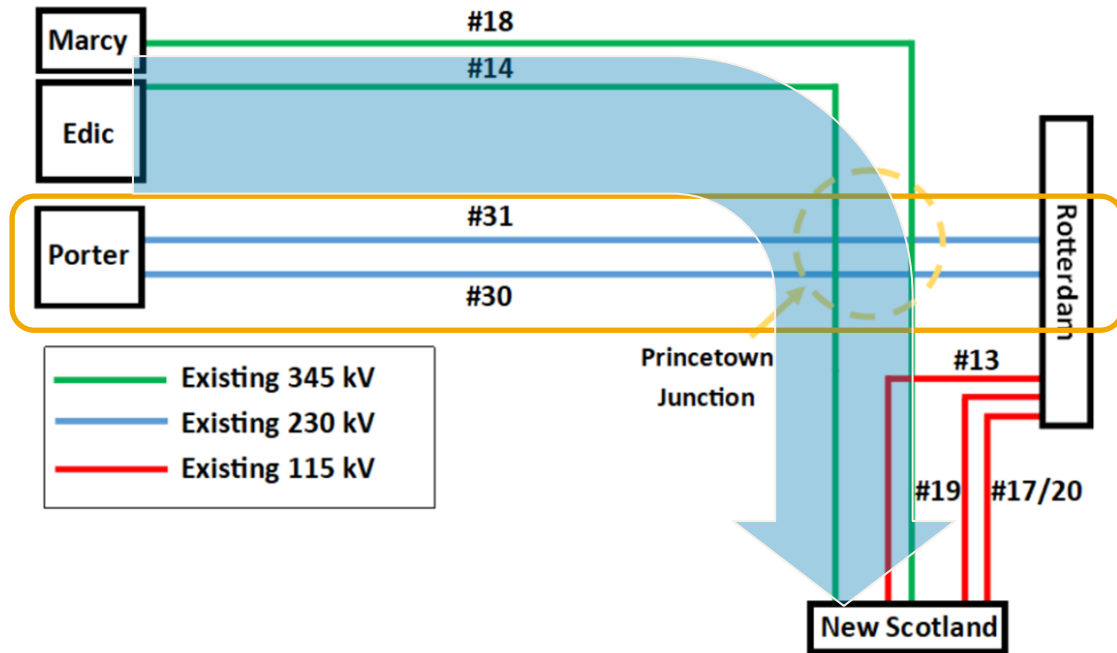
June 28, 2024

Growing Transmission Capacity in New York State

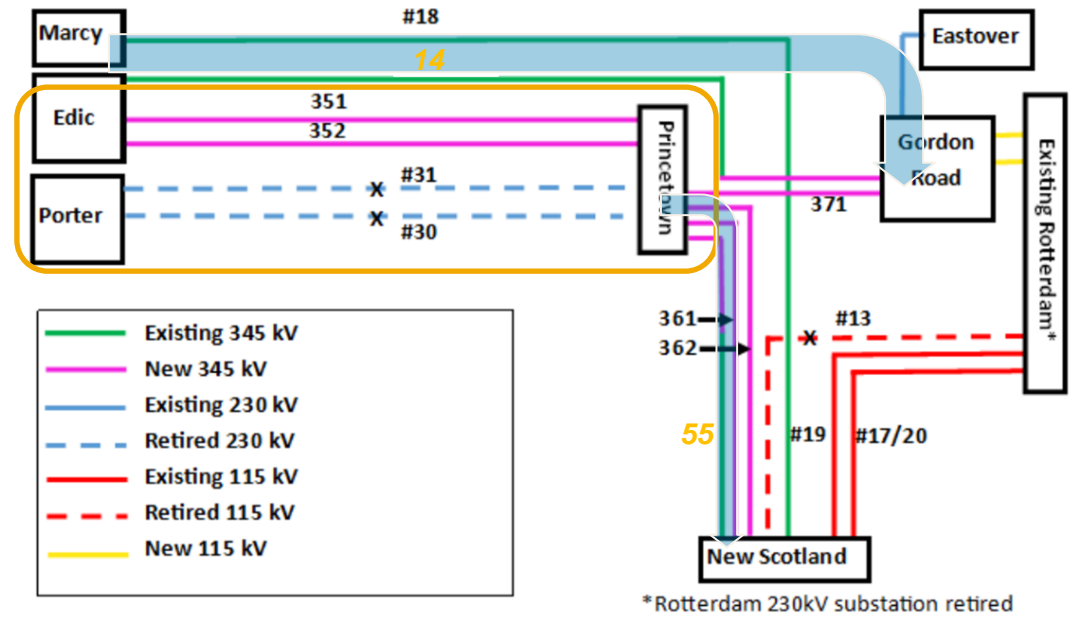


With Central East Connect Project in-service

Before



Current



345 kV Edic to New Scotland 14 line was modified into Edic to Gordon Road 14 and Princetown to New Scotland 55 lines

ENS-14 line modified into 14 and 55 lines.



230 kV Porter to New Scotland 31 and 32 lines into 345 kV 351 and 352 lines

230 kV 31 and 32 lines into the 345 kV 351 and 352 lines.

Exception #1 To Reliability Rules: Post Contingency Flow on Marcy-New Scotland



The post-contingency flow on the *Marcy-New Scotland 18* line is allowed to exceed its LTE rating

- for the loss of the *Edic-New Scotland 14* line
 - by the amount of relief that can be obtained by tripping the Gilboa pumping load as a single corrective action.

Also, the post-contingency flow on the *Edic-New Scotland 14* line is allowed to exceed its LTE rating for either the

- loss of the *Marcy-New Scotland 18* line alone or the
- double-circuit loss of the *Marcy-New Scotland 18* and *Adirondack-Porter 12* lines,
- by the amount of relief that can be obtained by tripping the Gilboa pumping load as a single corrective action.

Approved NYPP Operating Committee
January 27, 1988.

NYSRC Reliability Rule C.1

NYPA's Request

- **Modify the existing Exception #1 to ARR by modifying circuit names to the new line and,**
- **Incorporate the worst thermal contingency, the new 345 kV double circuit tower contingency.**

Exceptions to Exceed LTE Allowed For The Following Scenarios

Existing Exception

345 kV UNS-18

- Allowed to exceed LTE for the Loss of **ENS-14**

345 kV ENS-14

- Allowed to exceed LTE for the Loss of **UNS-18**.
- Or for the loss double-circuit loss of **UNS-18** and **Porter-12** lines

Proposed Exception

345 kV UNS-18

- Allowed to exceed LTE for the Loss of **14**,
- Or for the loss double-circuit loss of **351** and **352** lines.

345 kV **14**

- Allowed to exceed LTE for the Loss of **UNS-18**.
- Or for the loss double-circuit loss of **UNS-18** and **Porter-12** lines,
- Or for the loss double-circuit loss of **351** and **352** lines,

345 kV **55**

- Allowed to exceed LTE for the Loss of **UNS-18**.
- Or for the loss double-circuit loss of **UNS-18** and **Porter-12** lines,
- Or for the loss double-circuit loss of **361** and **362** lines.

Is Exception #1 still effective with the new system topology?

NYPA analysis demonstrates dropping BG pumps is still effective at reducing post-contingency overloads on the modified **14, 55** and UNS-18 lines

All Line In-Service Contingency Screening Results With BG Offline

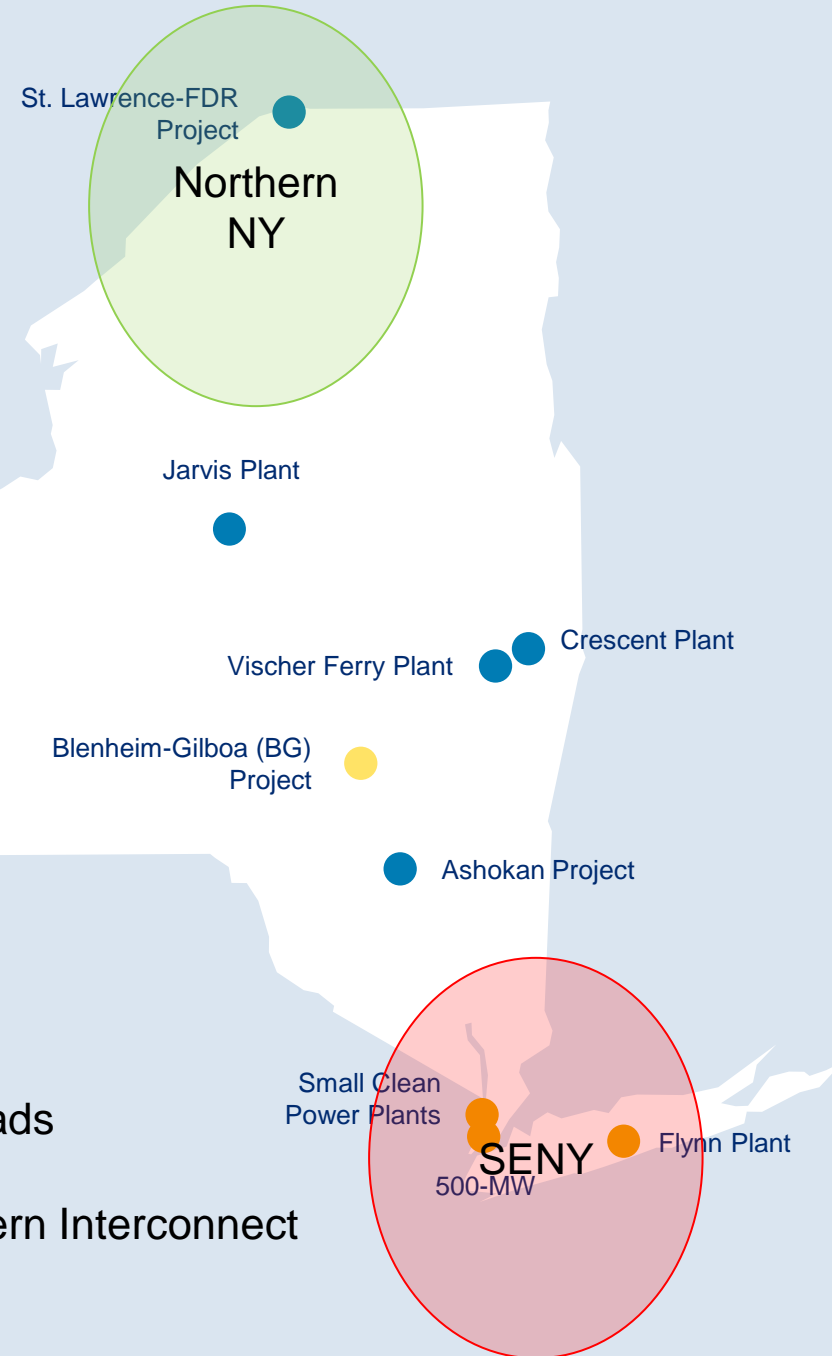
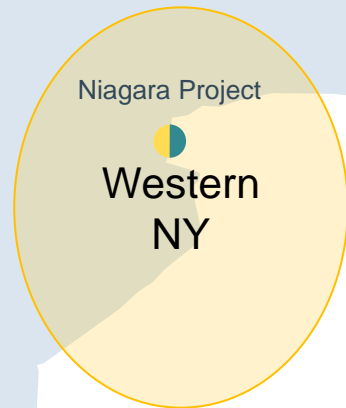
Table 1: All In-Service Screening

Monitored Ckt Name	Monitored Facility	Contingency Name	Base Flow (MVA)	Cont Flow (MVA)	LTE %Loading	STE % Loading
14	137200 EDIC 345 148964 GORDON ROAD 345 1	DCT:EDIC-PRINCETOWN 351 / 352	904	1563	102	91
UNS-18	137453 N.SCOT99 345 147833 MARCY T1 345 1	DCT:EDIC-PRINCETOWN 351 / 352	1031	1552	94	79
55	137452 N.SCOT77 345 148965 PRNCTWN 345 1	DCT:PRINCETOWN-NSCOT 361 / 362	749	1679	94	87
EF24-40	135205 FRAEDCSC 345 137200 EDIC 345 1	T:EDIC-PRINECTOWN 352 & UCC2-41	947	1430	80	80
UCC2-41	147833 MARCY T1 345 148059 MARCCSC1 345 1	T:EDIC-PRINCETOWN 351 & EF24-40	1093	1427	80	80
UCC2-41	147833 MARCY T1 345 148059 MARCCSC1 345 1	EDIC-FRASER EF2-40	1093	1393	78	78
352	137200 EDIC 345 148965 PRNCTWN 345 2	T:EDIC-PRINCETOWN 352 & UCC2-41	999	1487	74	74
351	137200 EDIC 345 148965 PRNCTWN 345 1	T:EDIC-PRINCETOWN 351 & EF24-40	997	1460	72	72

Three Different Generation Reduction Scenarios Used to Partially Correct ACE at 50% and 80%

NYPA Operating Facilities by Fuel Type

- Hydro
- Pumped Storage
- Gas



Study Assumptions:

- All Line In-Service
- Central-East stressed to ~ 3850 MW
- Sensitivity analysis with 50% and 80% of the BP pump loads compensated by reductions in Niagara generation
- Remainder of load/gen imbalance dispatched to the Eastern Interconnect



UNS-18 Post-Contingency Loading And Relief

June 28, 2024

UNS-18: Different Dispatch Scenarios For Post-Contingency Loading For The Loss Of 14

Table 2: Loading Of UNS-18 For The Loss Of 14

Mitigation Action	Base Flow (MVA)	Initial Contingency Flow (MVA)	5 Min Contingency Flow After BG Pump Drop and ACE correction (MVA)		
			SENY	West NY	North NY
None	861	1497	1497		
Trip 1 BG Pump			1483	1455	1449
Trip 2 BG Pumps			1471	1416	1404
Trip 3 BG Pumps			1461	1379	1364
Trip 4 BG Pumps			1451	1343	1324

* Post-contingency MVA relief when 50% of the pump load lost is offset by decreases in Different Areas

UNS-18: Different Dispatch Scenarios For Post-Contingency Relief For The Loss Of 14

Table 3: Load Relief Of UNS-18 For The Loss Of 14

Mitigation Action	Total Relief Per Dispatch: (MVA)		
	SENY	West NY	North NY
None	-	-	-
Trip 1 BG Pump	14	42	48
Trip 2 BG Pumps	26	81	93
Trip 3 BG Pumps	36	118	133
Trip 4 BG Pumps	46	154	173

* Post-contingency MVA relief when 50% of the pump load lost is offset by decreases in Different Areas

UNS-18: Different Dispatch Scenarios For Post-Contingency Loading For The Loss Of 14

Table 4: Loading Of UNS-18 For The Loss Of 14

Mitigation Action	Base Flow (MVA)	Initial Contingency Flow (MVA)	5 Min Contingency Flow After BG Pump Drop and ACE correction (MVA)		
			SENY	West NY	North NY
None	861	1497	1497		
Trip 1 BG Pump			1483	1448	1438
Trip 2 BG Pumps			1471	1402	1385
Trip 3 BG Pumps			1461	1359	1336
Trip 4 BG Pumps			1451	1318	1288

* Post-contingency MVA relief when 80% of the pump load lost is offset by decreases in Different Areas

UNS-18: Different Dispatch Scenarios For Post-Contingency Relief For The Loss Of 14

Table 5: Load Relief Of UNS-18 For The Loss Of 14

Mitigation Action	Total Relief Per Dispatch: (MVA)		
	SENY	West NY	North NY
None	-	-	-
Trip 1 BG Pump	14	49	59
Trip 2 BG Pumps	26	95	112
Trip 3 BG Pumps	36	138	161
Trip 4 BG Pumps	46	179	209

* Post-contingency MVA relief when 80% of the pump load lost is offset by decreases in Different Areas

UNS-18: Different Dispatch Scenarios For Post-Contingency Loading For **The Proposed Additional Tower Contingency Loss Of 351 & 352**

Table 6: Loading Of UNS-18 For Tower Contingency Loss Of **351 & 352**

Mitigation Action	Base Flow (MVA)	Initial Contingency Flow (MVA)	5 Min Contingency Flow After BG Pump Drop and ACE correction (MVA)		
			SENY	West NY	North NY
None	1005	1510	1510		
Trip 1 BG Pump			1510	1466	1458
Trip 2 BG Pumps			1510	1424	1410
Trip 3 BG Pumps			1494	1384	1454
Trip 4 BG Pumps			1480	1346	1494

* Post-contingency MVA relief when 50% of the pump load lost is offset by decreases in Different Areas

UNS-18: Different Dispatch Scenarios For Post-Contingency Relief For **The Proposed Additional Tower Contingency Loss Of 351 & 352**

Table 7: Load Relief Of UNS-18 For The Tower Contingency Loss Of **351 & 352**

Mitigation Action	Total Relief Per Dispatch: (MVA)		
	SENY	West NY	North NY
None	-	-	-
Trip 1 BG Pump	16	45	52
Trip 2 BG Pumps	30	86	100
Trip 3 BG Pumps	43	126	144
Trip 4 BG Pumps	56	164	184

* Post-contingency MVA relief when 80% of the pump load lost is offset by decreases in Different Areas

UNS-18: Different Dispatch Scenarios For Post-Contingency Loading For **The Proposed Additional Tower Contingency Loss Of 351 & 352**

Table 8: Loading Of UNS-18 For Tower Contingency Loss Of **351 & 352**

Mitigation Action	Base Flow (MVA)	Initial Contingency Flow (MVA)	5 Min Contingency Flow After BG Pump Drop and ACE correction (MVA)		
			SENY	West NY	North NY
None	1005	1510	1510		
Trip 1 BG Pump			1494	1458	1446
Trip 2 BG Pumps			1480	1410	1390
Trip 3 BG Pumps			1467	1364	1339
Trip 4 BG Pumps			1455	1320	1295

* Post-contingency MVA relief when 80% of the pump load lost is offset by decreases in Different Areas

UNS-18: Different Dispatch Scenarios For Post-Contingency Relief For **The Proposed Additional Tower Contingency Loss Of 351 & 352**

Table 9: Load Relief Of UNS-18 For The Tower Contingency Loss Of **351 & 352**

Mitigation Action	Total Relief Per Dispatch: (MVA)		
	SENY	West NY	North NY
None	-	-	-
Trip 1 BG Pump	16	52	64
Trip 2 BG Pumps	30	100	121
Trip 3 BG Pumps	43	146	172
Trip 4 BG Pumps	56	190	216

* Post-contingency MVA relief when 80% of the pump load lost is offset by decreases in Different Areas



14

Post-Contingency Loading And Relief

June 28, 2024

14: Post-Contingency Loading For The Loss Of UNS-18

Table 10: Loading Of 14 For Tower Contingency Loss Of UNS-18

Mitigation Action	Base Flow (MVA)	Initial Contingency Flow (MVA)	5 Min Contingency Flow After BG Pump Drop and ACE correction (MVA)		
			SENY	West NY	North NY
None	861	1050	1050		
Trip 1 BG Pump			1041	1023	1019
Trip 2 BG Pumps			1032	998	991
Trip 3 BG Pumps			1023	976	959
Trip 4 BG Pumps			1014	956	899

- Post-contingency MVA relief when 50% of the pump load lost is offset by decreases in Different Areas
- * Tower Loss of the UNS-18 & Porter-12 lines has the same loading the loss UNS-18 alone

14: Post-Contingency Relief For The Loss Of UNS-18

**Table 11: Load Relief Of 14 For The
Tower Contingency Loss Of UNS-18**

Mitigation Action	Total Relief Per Dispatch: (MVA)		
	SENY	West NY	North NY
None	-	-	-
Trip 1 BG Pump	9	27	30
Trip 2 BG Pumps	18	51	58
Trip 3 BG Pumps	27	73	90
Trip 4 BG Pumps	36	93	120

- Post-contingency MVA relief when 50% of the pump load lost is offset by decreases in Different Areas
- * Tower Loss of the UNS-18 & Porter-12 lines has the same loading the loss UNS-18 alone

14: Post-Contingency Loading For The Loss Of UNS-18

Table 12: Loading Of 14 For Tower Contingency Loss Of UNS-18

Mitigation Action	Base Flow (MVA)	Initial Contingency Flow (MVA)	5 Min Contingency Flow After BG Pump Drop and ACE correction (MVA)		
			SENY	West NY	North NY
None	861	1050	1050		
Trip 1 BG Pump			1046	1019	1012
Trip 2 BG Pumps			1044	989	979
Trip 3 BG Pumps			1041	961	984
Trip 4 BG Pumps			1038	934	917

- Post-contingency MVA relief when 80% of the pump load lost is offset by decreases in Different Areas
- * Tower Loss of the UNS-18 Porter-12 lines has the same loading the loss UNS-18 alone

14: Post-Contingency Relief For The Loss Of UNS-18

Table 13: Load Relief Of 14 For The Tower Contingency Loss Of UNS-18

Mitigation Action	Total Relief Per Dispatch: (MVA)		
	SENY	West NY	North NY
None	-	-	-
Trip 1 BG Pump	3	31	37
Trip 2 BG Pumps	6	60	71
Trip 3 BG Pumps	9	88	103
Trip 4 BG Pumps	12	115	133

- Post-contingency MVA relief when 80% of the pump load lost is offset by decreases in Different Areas
- * Tower Loss of the UNS-18 Porter-12 lines has the same loading the loss UNS-18 alone

14: Different Dispatch Scenarios For Post-Contingency Loading For The Proposed Additional Tower Contingency Loss Of 351 & 352

Table 14: Loading Of 14 For Tower Contingency Loss Of 351 & 352

Mitigation Action	Base Flow (MVA)	Initial Contingency Flow (MVA)	5 Min Contingency Flow After BG Pump Drop and ACE correction (MVA)		
			SENY	West NY	North NY
None	861	1497	1497		
Trip 1 BG Pump			1483	1455	1449
Trip 2 BG Pumps			1471	1416	1404
Trip 3 BG Pumps			1461	1379	1364
Trip 4 BG Pumps			1451	1343	1324

* Post-contingency MVA relief when 50% of the pump load lost is offset by decreases in Different Areas

14: Different Dispatch Scenarios For Post-Contingency Relief For The Proposed Additional Tower Contingency Loss Of 351 & 352

Table 15: Load Relief Of 14 For The Tower Contingency Loss Of 351 & 352

Mitigation Action	Total Relief Per Dispatch: (MVA)		
	SENY	West NY	North NY
None	-	-	-
Trip 1 BG Pump	14	42	48
Trip 2 BG Pumps	26	81	93
Trip 3 BG Pumps	36	118	133
Trip 4 BG Pumps	46	154	173

- Post-contingency MVA relief when 50% of the pump load lost is offset by decreases in Different Areas

14: Different Dispatch Scenarios For Post-Contingency Loading For The Proposed Additional Tower Contingency Loss Of 351 & 352

Table 16: Loading Of 14 For Tower Contingency Loss Of 351 & 352

Mitigation Action	Base Flow (MVA)	Initial Contingency Flow (MVA)	5 Min Contingency Flow After BG Pump Drop and ACE correction (MVA)		
			SENY	West NY	North NY
None	861	1497	1497		
Trip 1 BG Pump			1483	1448	1438
Trip 2 BG Pumps			1471	1402	1385
Trip 3 BG Pumps			1461	1359	1336
Trip 4 BG Pumps			1451	1318	1288

* Post-contingency MVA relief when 80% of the pump load lost is offset by decreases in Different Areas

14: Different Dispatch Scenarios For Post-Contingency Relief For **The Proposed Additional Tower Contingency Loss Of 351 & 352**

Table 17: Load Relief Of 14 For The Tower Contingency Loss Of 351 & 352

Mitigation Action	Total Relief Per Dispatch: (MVA)		
	SENY	West NY	North NY
None	-	-	-
Trip 1 BG Pump	14	49	59
Trip 2 BG Pumps	26	95	112
Trip 3 BG Pumps	36	138	161
Trip 4 BG Pumps	46	179	209

- Post-contingency MVA relief when 80% of the pump load lost is offset by decreases in Different Areas

Princetown – New Scotland 55 Post-Contingency Loading And Relief

June 28, 2024

55: Post-Contingency Loading For The Loss Of UNS-18

Table 18: Loading Of 55 Line For Tower Contingency Loss Of UNS-18

Mitigation Action	Base Flow (MVA)	Initial Contingency Flow (MVA)	5 Min Contingency Flow After BG Pump Drop and ACE correction (MVA)		
			SENY	West NY	North NY
None	762	964	964		
Trip 1 BG Pump			953	935	930
Trip 2 BG Pumps			941	907	899
Trip 3 BG Pumps			930	880	868
Trip 4 BG Pumps			919	853	837

- Post-contingency MVA relief when 50% of the pump load lost is offset by decreases in Different Areas
- * Tower Loss of the UNS-18 & Porter-12 lines has the same loading the loss UNS-18 alone

55: Total Post-Contingency Relief For The Loss Of UNS-18

Table 19: Load Relief Of 55 Line For The Tower Contingency Loss Of UNS-18

Mitigation Action	Total Relief Per Dispatch: (MVA)		
	SENY	West NY	North NY
None	-	-	-
Trip 1 BG Pump	12	29	34
Trip 2 BG Pumps	23	57	66
Trip 3 BG Pumps	34	84	97
Trip 4 BG Pumps	45	111	127

- Post-contingency MVA relief when 50% of the pump load lost is offset by decreases in Different Areas
- * Tower Loss of the UNS-18 & Porter-12 lines has the same loading the loss UNS-18 alone

55: Post-Contingency Loading For The Loss Of UNS-18

Table 20: Loading Of 55 Line or Tower Contingency Loss Of UNS-18

Mitigation Action	Base Flow (MVA)	Initial Contingency Flow (MVA)	5 Min Contingency Flow After BG Pump Drop and ACE correction (MVA)		
			SENY	West NY	North NY
None	762	964	964		
Trip 1 BG Pump			958	930	923
Trip 2 BG Pumps			953	898	885
Trip 3 BG Pumps			948	867	848
Trip 4 BG Pumps			942	836	811

- Post-contingency MVA relief when 80% of the pump load lost is offset by decreases in Different Areas
- * Tower Loss of the UNS-18 Porter-12 lines has the same loading the loss UNS-18 alone

55: Post-Contingency Relief For The Loss Of UNS-18

**Table 21: Load Relief Of 55 Line For The
Tower Contingency Loss Of UNS-18**

Mitigation Action	Total Relief Per Dispatch: (MVA)		
	SENY	West NY	North NY
None	-	-	-
Trip 1 BG Pump	6	34	41
Trip 2 BG Pumps	11	66	79
Trip 3 BG Pumps	17	97	117
Trip 4 BG Pumps	22	128	153

- Post-contingency MVA relief when 80% of the pump load lost is offset by decreases in Different Areas
- * Tower Loss of the UNS-18 Porter-12 lines has the same loading the loss UNS-18 alone

55: Different Dispatch Scenarios For Post-Contingency Loading For **The Proposed Additional Tower Contingency Loss Of 361 & 362**

Table 22: Loading Of 55 Line For Tower Contingency Loss Of 361 & 362

Mitigation Action	Base Flow (MVA)	Initial Contingency Flow (MVA)	5 Min Contingency Flow After BG Pump Drop and ACE correction (MVA)		
			SENY	West NY	North NY
None	762	964	-	-	-
Trip 1 BG Pump			953	937	934
Trip 2 BG Pumps			944	913	906
Trip 3 BG Pumps			935	889	879
Trip 4 BG Pumps			926	864	852

* Post-contingency MVA relief when 50% of the pump load lost is offset by decreases in Different Areas

55: Different Dispatch Scenarios For Post-Contingency Relief For **The Proposed Additional Tower Contingency Loss Of 361 & 362**

Table 23: Load Relief Of 55 Line For The Tower Contingency Loss Of 361 & 362

Mitigation Action	Total Relief Per Dispatch: (MVA)		
	SENY	West NY	North NY
None	-	-	-
Trip 1 BG Pump	10	25	29
Trip 2 BG Pumps	19	50	56
Trip 3 BG Pumps	28	74	84
Trip 4 BG Pumps	37	98	111

- Post-contingency MVA relief when 50% of the pump load lost is offset by decreases in Different Areas

55: Different Dispatch Scenarios For Post-Contingency Loading For **The Proposed Additional Tower Contingency Loss Of 361 & 362**

Table 24: Loading Of **55 Line For Tower Contingency Loss Of **361 & 362****

Mitigation Action	Base Flow (MVA)	Initial Contingency Flow (MVA)	5 Min Contingency Flow After BG Pump Drop and ACE correction (MVA)		
			SENY	West NY	North NY
None	762	964	964		
Trip 1 BG Pump			953	937	934
Trip 2 BG Pumps			944	913	906
Trip 3 BG Pumps			935	889	879
Trip 4 BG Pumps			926	864	852

* Post-contingency MVA relief when 80% of the pump load lost is offset by decreases in Different Areas

55: Different Dispatch Scenarios For Post-Contingency Relief For **The Proposed Additional Tower Contingency Loss Of 361 & 362**

Table 25: Load Relief Of 55 Line For The Tower Contingency Loss Of 361 & 362

Mitigation Action	Total Relief Per Dispatch: (MVA)		
	SENY	West NY	North NY
None	-	-	-
Trip 1 BG Pump	10	25	29
Trip 2 BG Pumps	19	50	56
Trip 3 BG Pumps	28	74	84
Trip 4 BG Pumps	37	98	111

- Post-contingency MVA relief when 80% of the pump load lost is offset by decreases in Different Areas

Post-Contingency MVA Relief Expected From Tripping BG Pumps

This table shows a reasonable range of relief when 50% to 80% of the +ACE due to tripped pumps is corrected within Western NY State, with the Eastern Interconnect picking up the Remaining Discrepancy.

Table 26: Range Of Relief Per Number Of BG Pumps Dropped (MVA)

Relief On	<u>UNS-18</u>		<u>14</u>		<u>55</u>	
BG Pumps Tripped	Loss of <u>14</u>	Tower <u>351 & 352</u>	Loss of <u>UNS-18</u> or Tower <u>UNS-18 & P12</u>	Tower <u>351 & 352</u>	Loss of <u>UNS-18</u> or Tower <u>UNS-18 & P12</u>	Tower <u>361 & 362</u>
1	32 – 38	16 – 64	3 – 37	14 – 59	12 – 34	11 – 40
2	64 – 74	30 – 112	6 – 71	26 – 112	23 – 66	21 – 78
3	93 – 109	43 – 172	9 – 103	36 – 161	34 – 97	31 – 115
4	122 – 143	56 – 216	12 – 133	46 – 209	45 – 127	41 – 151

Maintenance Outage Screening Results (N-1-1 Analysis) Show the Value in Integrating Additional Contingencies

June 28, 2024

N-1-1 Results

Table 27: Maintenance Screening

Maintenance Outage Scenario	Monitored Circuit	Contingency Name	Base Flow (MVA)	Cont Flow (MVA)	% LTE	% STE
DCT:PRINCNTWN-NSCOT 361/362	55	T: UNS-18 & Porter 12	1730	2287	128.3	118.6
DCT:PRINCNTWN-NSCOT 361/362	55	Marcy –New Scotland UNS-18	1730	2286	128.3	118.5
NSCOT345BS66K	55	T: UNS-18 & Porter 12	1680	2242	125.8	116.2
NSCOT345BS66K	55	Marcy –New Scotland UNS-18	1680	2240	125.7	116.1
NSCOT345BS99K	55	T: Princetown – New Scot 361/362	934	2240	125.7	116.1
DCT:PRINCNTWN-NSCOT 361/362	55	New Scot 345 Bus 99kK	1730	2184	122.6	113.2
NSCOT345BS99K	55	New Scot 345 Bus 66K	934	2114	118.7	109.6
NSCOT345BS77	UNS-18	T: Edic - Princetown 352 & 41	1239	1635	99.1	83.0
NSCOT345BS77	UNS-18	T: Edic - Princetown 351 & 40	1239	1617	98.0	82.0
NSCOT345BS77	EF24-40	T: Edic - Princetown 352 & 41	1205	1734	96.7	96.7
DCT:PRINCNTWN-NSCOT 361/362	UNS-18	T: Edic - Princetown 351 & 352	1160	1573	95.4	79.8
NSCOT345BS66K	UNS-18	T: Edic - Princetown 351 & 352	1142	1563	94.7	79.3
DCT:PRINCNTWN-NSCOT 361/362	UNS-18	T: Edic - Princetown 352 & 41	1160	1557	94.4	79.0
NSCOT345BS66K	UNS-18	T: Edic - Princetown 352 & 41	1142	1551	94.0	78.7
NSCOT345BS66K	UNS-18	New Scot 345 Bus 77	1142	1550	93.9	78.6
NSCOT345BS77	UNS-18	T: Edic - Princetown 351 & 352	1239	1543	93.5	78.3
NSCOT345BS66K	14	T: Edic - Princetown 351 & 352	778	1432	93.1	83.1
DCT:PRINCNTWN-NSCOT 361/362	14	T: Edic - Princetown 351 & 352	781	1431	93.1	83.0
NSCOT345BS77	UNS-18	New Scot 345 Bus 66K	1239	1535	93.1	77.9
NSCOT345BS66K	EF24-40	T: Edic - Princetown 352 & 41	1153	1665	92.9	92.9
DCT:PRINCNTWN-NSCOT 361/362	UNS-18	New Scot 345 Bus 77	1160	1532	92.9	77.7
DCT:PRINCNTWN-NSCOT 361/362	UNS-18	T: Edic - Princetown 351 & 40	1160	1526	92.5	77.4
NSCOT345BS66K	UNS-18	T: Edic - Princetown 352 & 41	1142	1518	92.0	77.0

Blenheim-Gilboa

The Transmission System is Changing; This Exception Provides Operational Flexibility Under Challenging Conditions

June 28, 2024

Tripping B-G Pumping Loads Remains Effective in Reducing Overloads

The steady-state analysis shows removing B-G pumping load remains an effective method for decreasing west-to-east flows from Central New York to the Capital District.



Proposed Exception #1 To Reliability RULES: Post Contingency Flow on Marcy-New Scotland

- The post-contingency flow on the *Marcy-New Scotland 18* line is allowed to exceed its LTE rating for the loss of the *Edic-Gordon Road 14* line or the double-circuit loss of the *Edic-Princeton 351 and 352*, by the amount of relief that can be obtained by tripping the Gilboa pumping load as a single corrective action.
- Also, the post-contingency flow on the *Edic-Gordon Road 14* line is allowed to exceed its LTE rating for either the loss of the *Marcy-New Scotland 18* line alone, or the double-circuit loss of the *Marcy-New Scotland 18* and *Adirondack-Porter 12* lines, or the double-circuit loss of the *Edic-Princeton 351 and 352* by the amount of relief that can be obtained by tripping the Gilboa pumping load as a single corrective action.
- Also, the post-contingency flow on the *Princeton-New Scotland 55* line is allowed to exceed its LTE rating for either the loss of the *Marcy-New Scotland 18* line alone, or the double-circuit loss of the *Marcy-New Scotland 18* and *Adirondack-Porter 12* lines, or the double-circuit loss of the *Princeton-New Scotland 361 and 362*, by the amount of relief that can be obtained by tripping the Gilboa pumping load as a single corrective action.

NYSRC Reliability Rule C.1



Contact Info

NYPA Operations Planning

Mohammed (Arif) Hossain

PE/MBA (He/Him)

Director Operations Planning

Contact Info:

- (315) 792-8568
- mohammed.hossain@nypa.gov

NYPA Operations Planning

Brent A. Blanchard

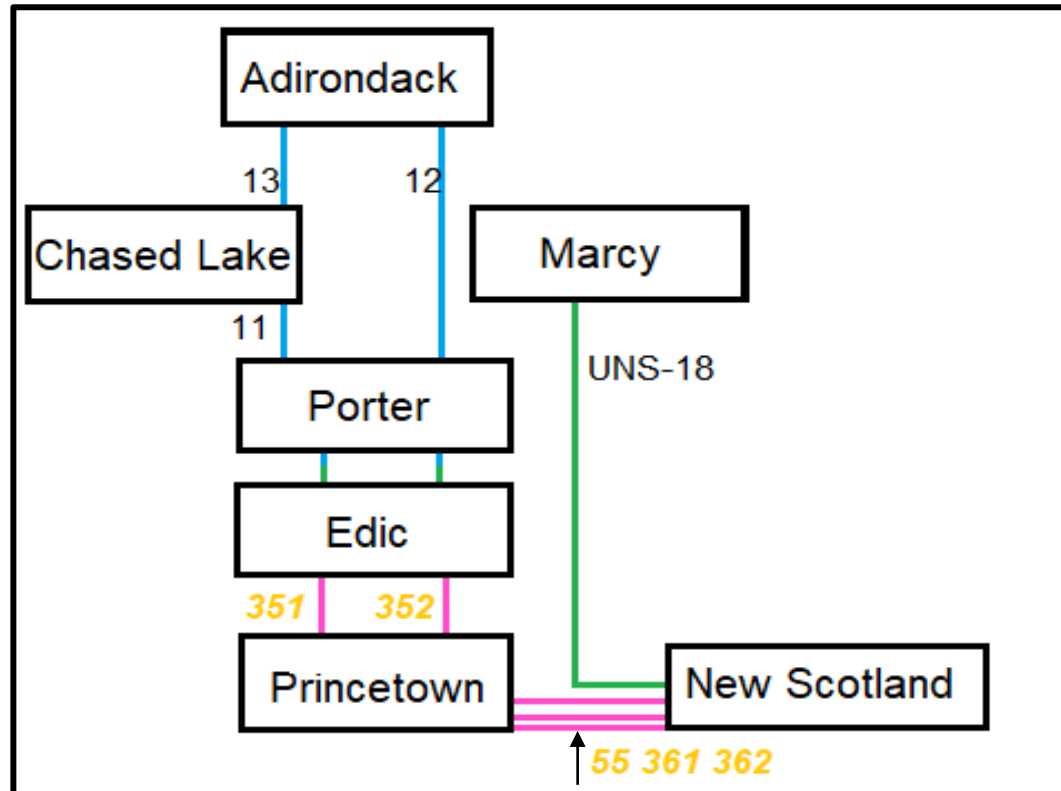
(He/Him)

System Planning Engineer

Contact Info:

- (315) 792-8567
- brent.blanchard@nypa.gov

Northern New York to Central East Topology





NY Power
Authority

Thank
You